

BUILDING ANALYSTS



"HARRY— Have you seen my strainer?"

WHY SOME TILE INSTALLATIONS FAIL AT SHOWERS

COMMON PROBLEMS:

- Tile installed over water-resistant gypsum board (green board) instead of a mortar setting bed or cementitious backer board.

Note: The Ceramic Tile Institute has questioned using green board as a tile substrate in wet areas such as tub/shower enclosures.

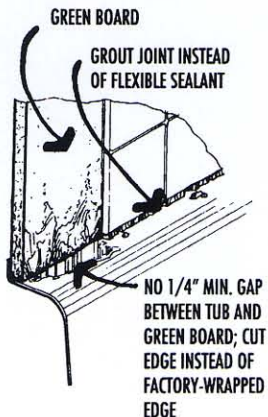
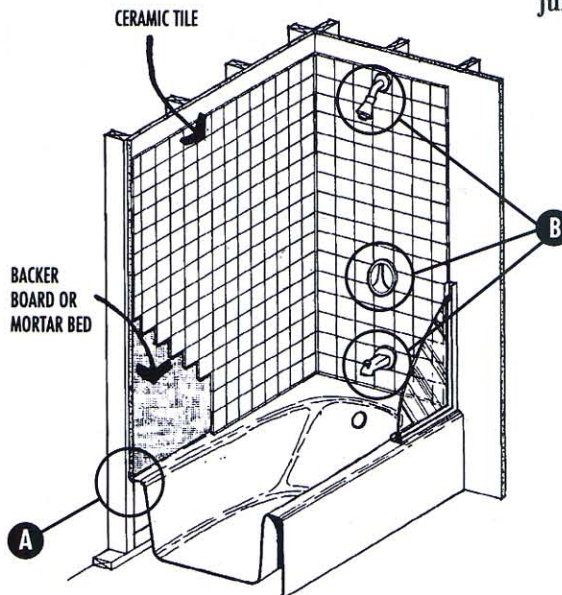
- Edge of green board above tub or shower pan lip is a cut edge instead of the wrapped factory edge.
- Joints and penetrations are not sealed with a coat of ceramic tile mastic prior to tile installation.
- Insufficient gap (less than 1/4 inch) between the base of green board and the tub or shower pan.
- Lack of flexible sealant joint at the tile-to-tub or shower pan juncture.

POTENTIAL DAMAGE:

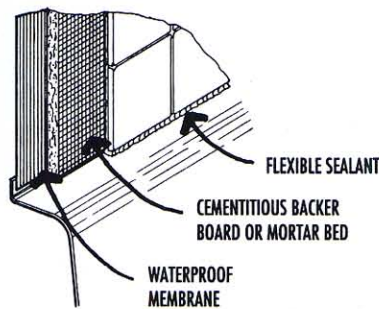
- Water intrusion resulting in:
 - Tiles popping off
 - Tile and grout cracking
 - Dryrot, structural damage, and framing movement.

RECOMMENDED SOLUTIONS:

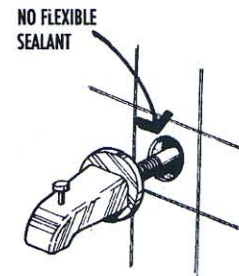
- Install tile over a mortar bed or cementitious backer board such as "Durock", "Wonderboard", or equal, per manufacturer's installation instructions.
- Provide proper, flexible sealant joints at all fixture penetrations and tile-to-tub and shower pan junctures.



NOT RECOMMENDED



RECOMMENDED



IMPROPER



PROPER

A TILE-TO-TUB OR SHOWER PAN JUNCTURE

B FIXTURE PENETRATIONS

Building Analysts is a full-service architectural and engineering firm with many years of experience in construction litigation. Our services include: architectural and structural investigations, repair recommendations, preparation of exhibits and expert testimony. We hope this newsletter is helpful. Please contact Stan Livingston, Pete diGirolamo, Mike Romanowski or Bob Carroll at Building Analysts if you need our input or recommendation. (619) 234-8153

Building Analysts' newsletter is intended to provide general information for those involved in construction litigation. The topics contained in this publication are abbreviated and applicability to a particular situation may vary according to circumstances. Since design and construction technologies change over time, the information contained herein may become outdated. Building Analysts recommends you contact the appropriate design professional for specific information regarding individual projects.

SPRING 1996 NEXT ISSUE: Inspections by Rope Access